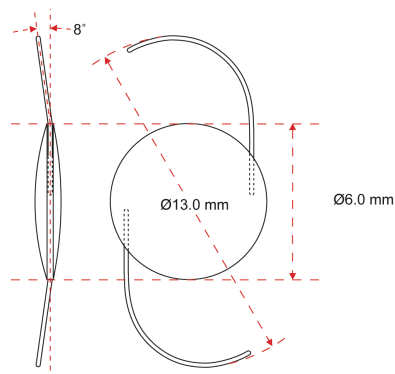
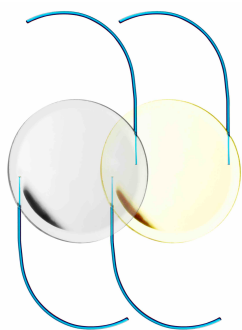


PreciSAL
HYDROPHOBIC

Foldable Acrylic Intraocular Lens

Monofocal IOL Three Piece



300AC / 300A Non-preloaded

IOL Design	Three Piece posterior chamber lens for placement in the capsular bag
Material	Optic: Hydrophobic UV absorbing or UV+blue-light filtering acrylic polymer Haptic: PMMA (polymethylmethacrylate) monofilament
Model	Model 300AC (with UV absorber) Model 300A (with UV+blue-light blocker)
Optic Diameter	6.0mm
Overall Diameter	13.0mm
Haptic Angle	8°, C-Loop
Optic Design	biconvex, square edged optic
Dioptr Range	0.0D to +34.0D 0.0D to +10.0D in 1.0D steps +10.0D to +30.0D in 0.5D steps +30.0D to +34.0D in 1.0D steps
Refractive index	1.5
Material Water Content	<0.5%
A-Constant*	Nominal :118.3, SRKII :118.9, SRKT:118.7, SF:1.61 Haigis: (a ₀ : 1.26, a ₁ : 0.400, a ₂ : 0.100)
Method of Sterilization	Ethylene Oxide (ETO)
ACD*	5.39
UV cut off wavelength at 10% transmittance	386 ±2 nm (Model 300AC) 388 ±2 nm (Model 300A)
Recommended Insertion Instrument	Medicel Viscoject Easy 2.9-3P Injector
Package	The Soft Hydrophobic Acrylic Intraocular lenses are supplied sterile & dry, in a lens case with cap, packaged in a Tyvek peel pouch

(*) These values are shown as guidelines only for use with optical biometry for calculation of implant power. MBI recommend that surgeons develop their own values based on individual technique, measuring equipment and desired post-operative results. In no way are these values meant to be definitive.

Millennium Biomedical Inc.

360 E. Bonita Ave.
Pomona CA. 91767
USA
www.mbius.com